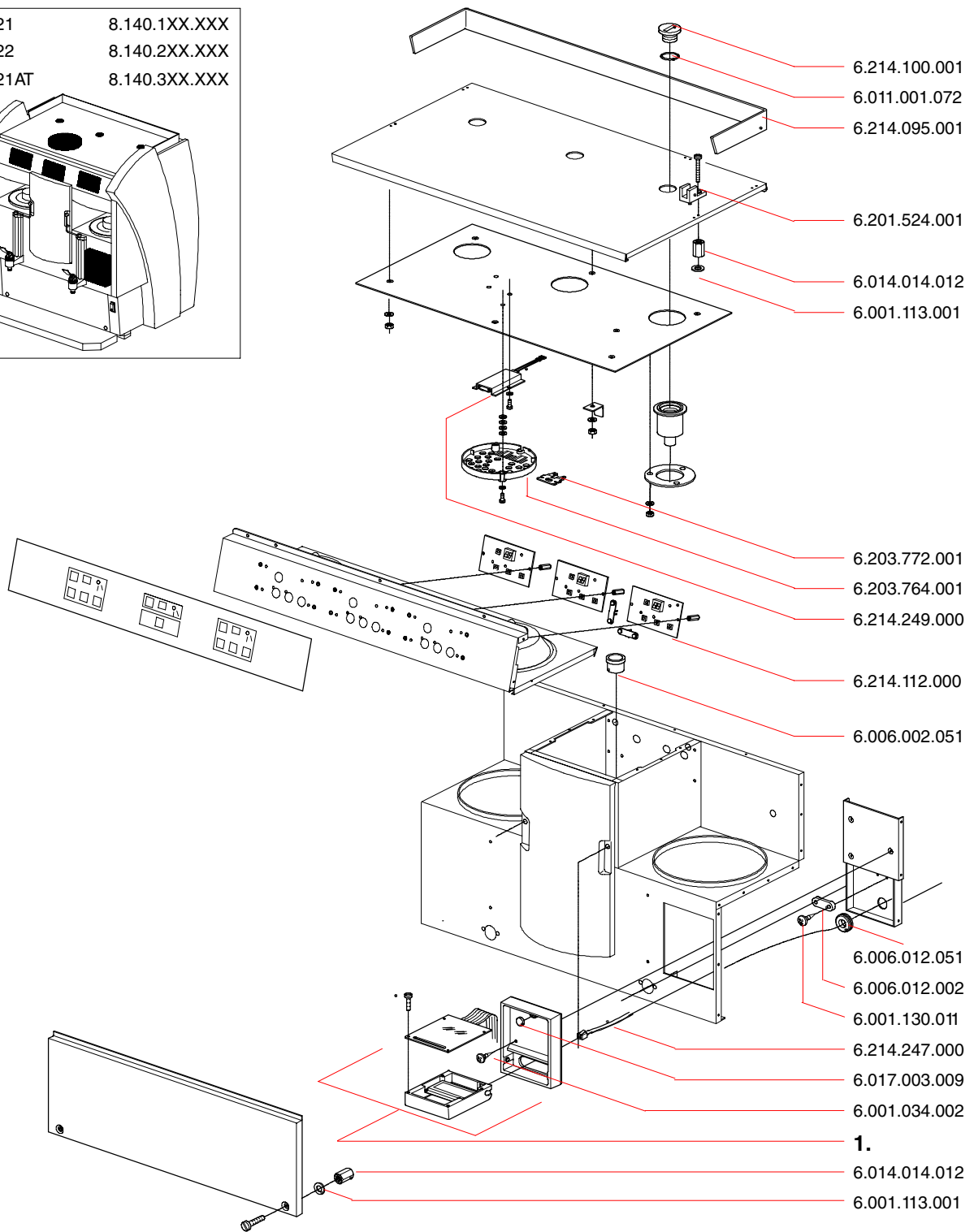
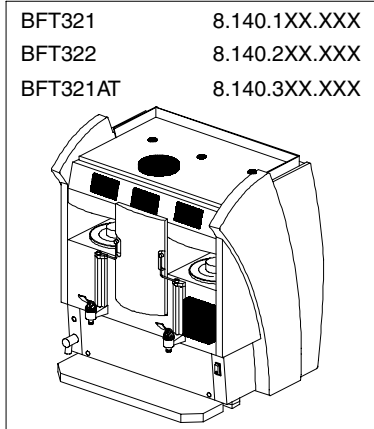
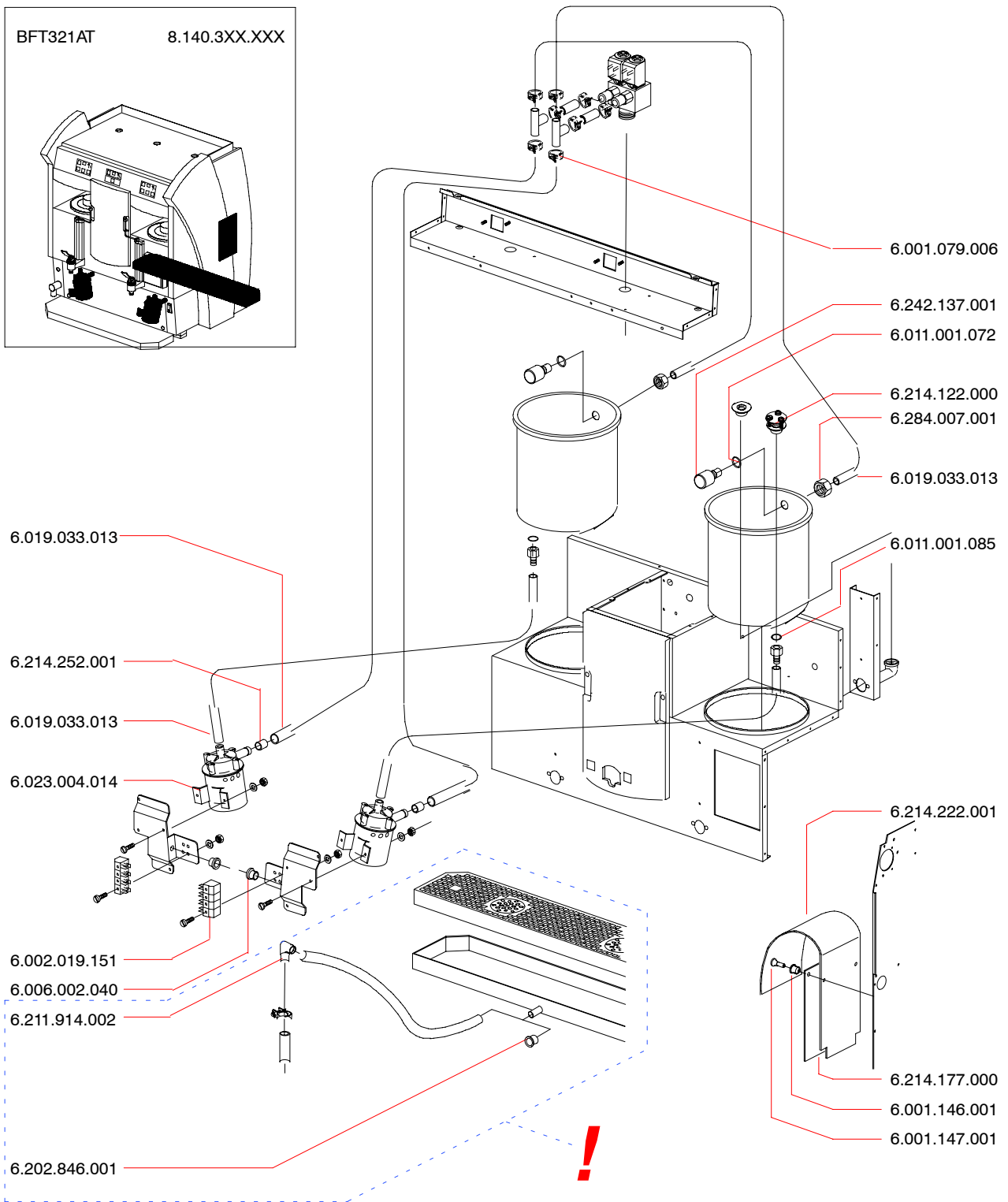
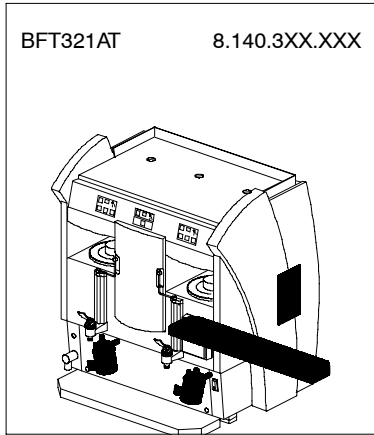


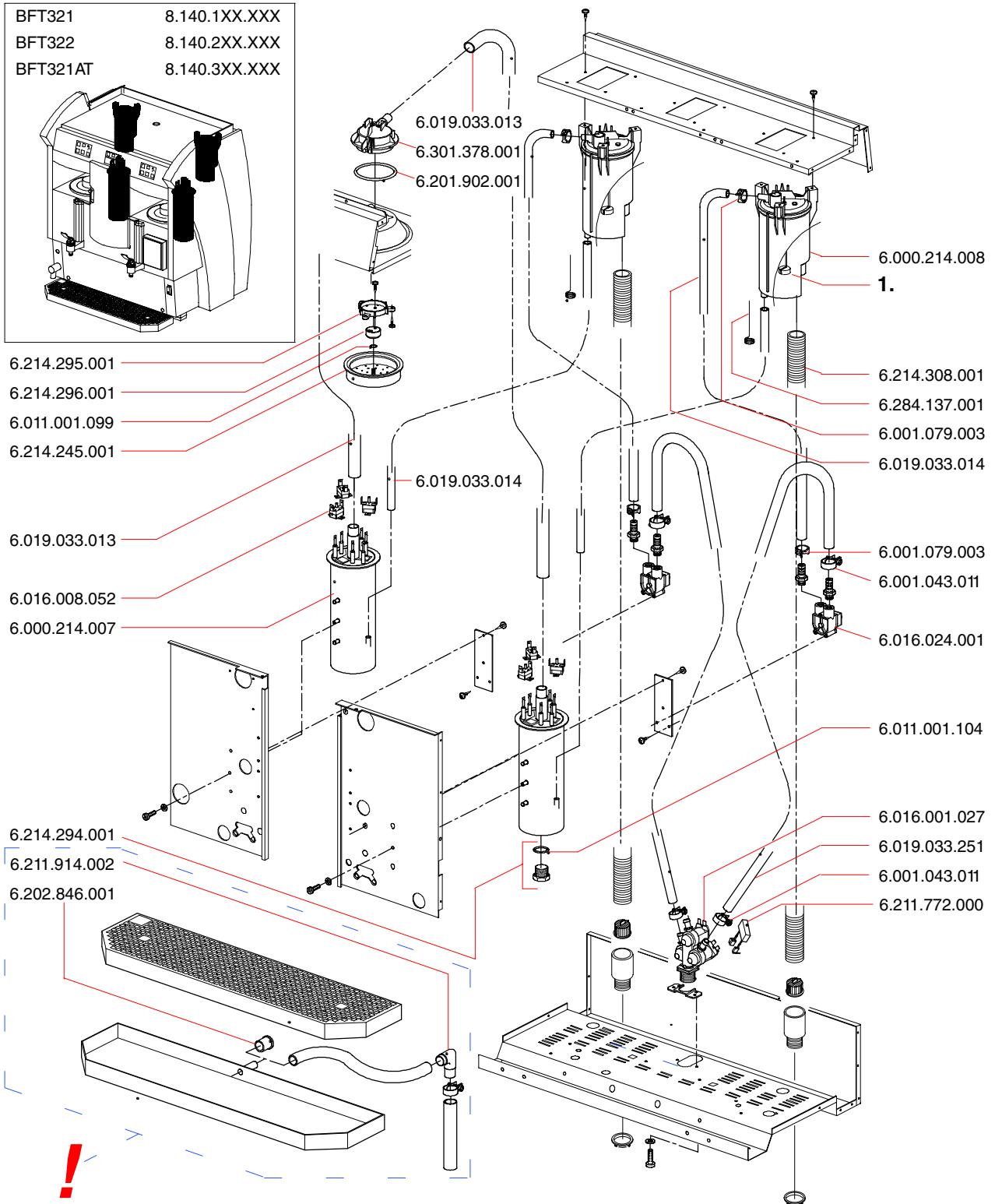
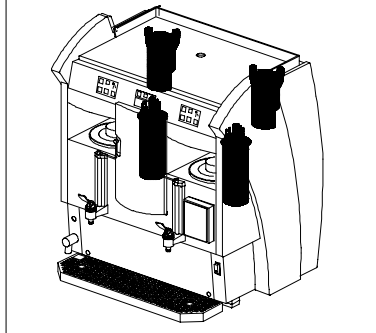
BRIVILOR[®] BONAMAT



		BFT321-001	BFT321-011	BFT322-001
1.	STD	6.000.214.014	6.000.214.028	6.000.214.027



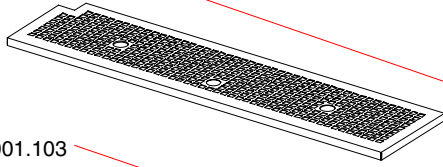
BFT321 8.140.1XX.XXX
 BFT322 8.140.2XX.XXX
 BFT321AT 8.140.3XX.XXX



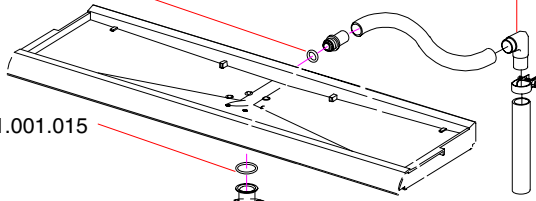
		BFT321-001	BFT321-011	BFT322-001
1.	STD			
	DK, N, S, SF	6.214.304.001	6.214.304.001	6.214.304.001



6.211.914.002



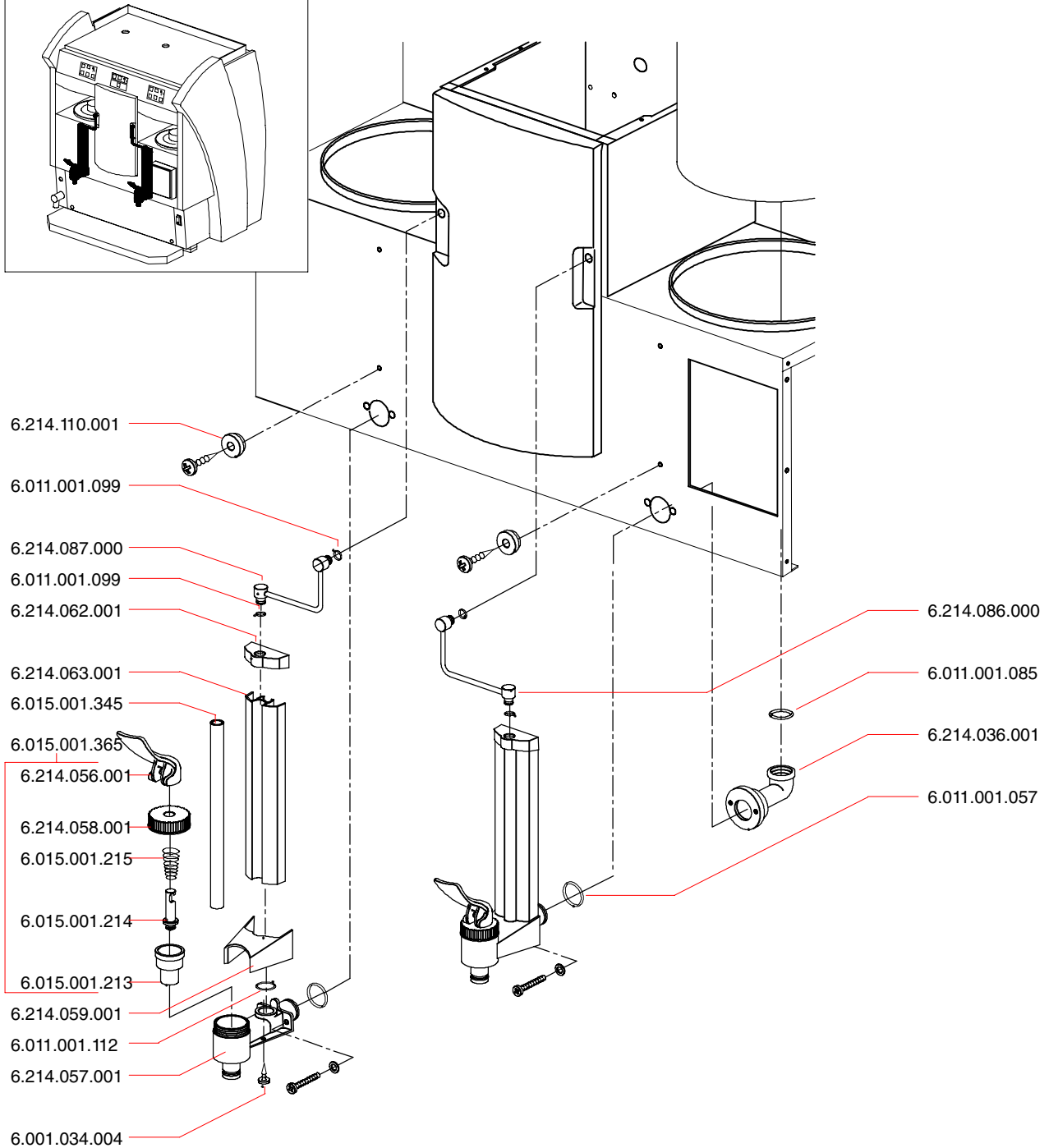
6.011.001.103

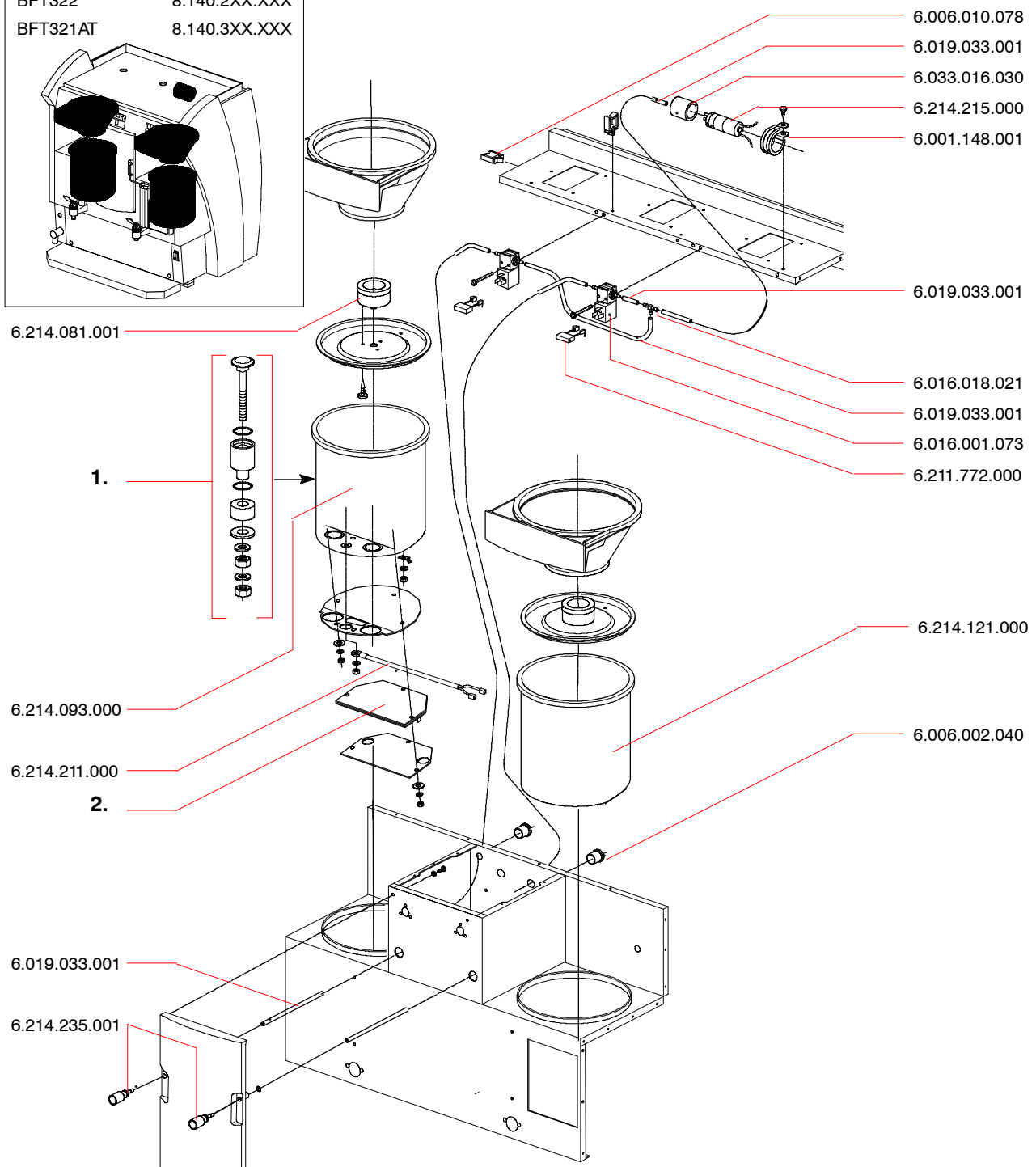
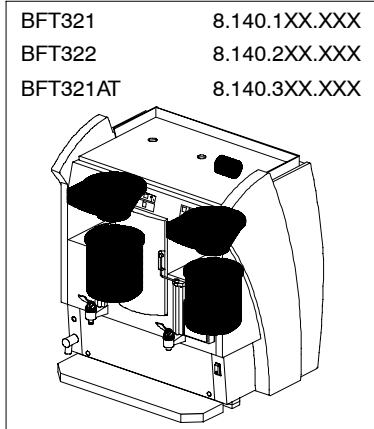


6.011.001.015

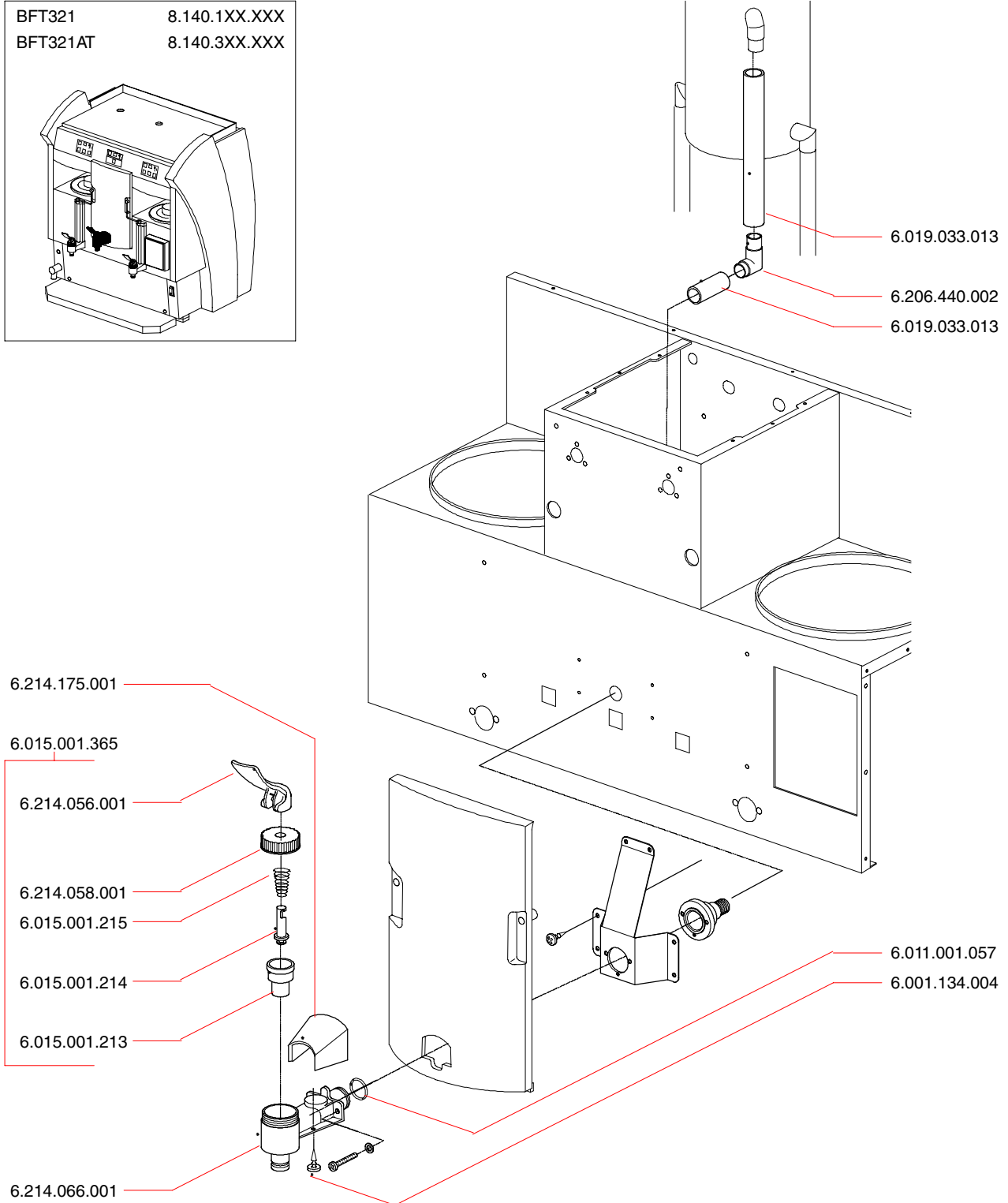
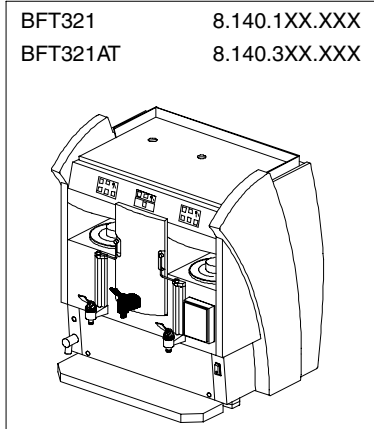


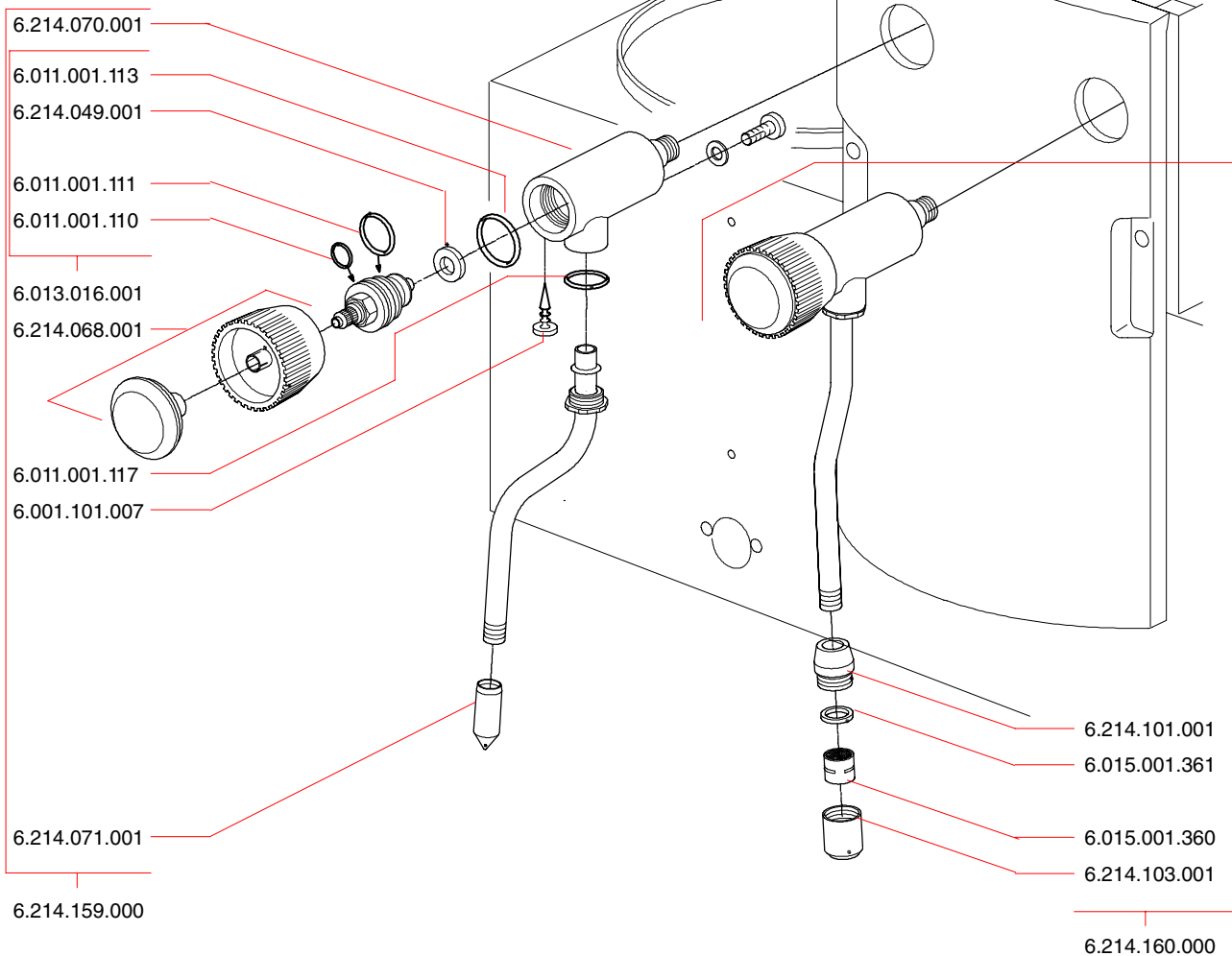
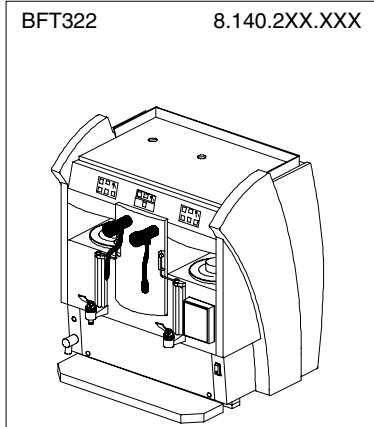
BFT321	8.140.1XX.XXX
BFT322	8.140.2XX.XXX
BFT321AT	8.140.3XX.XXX

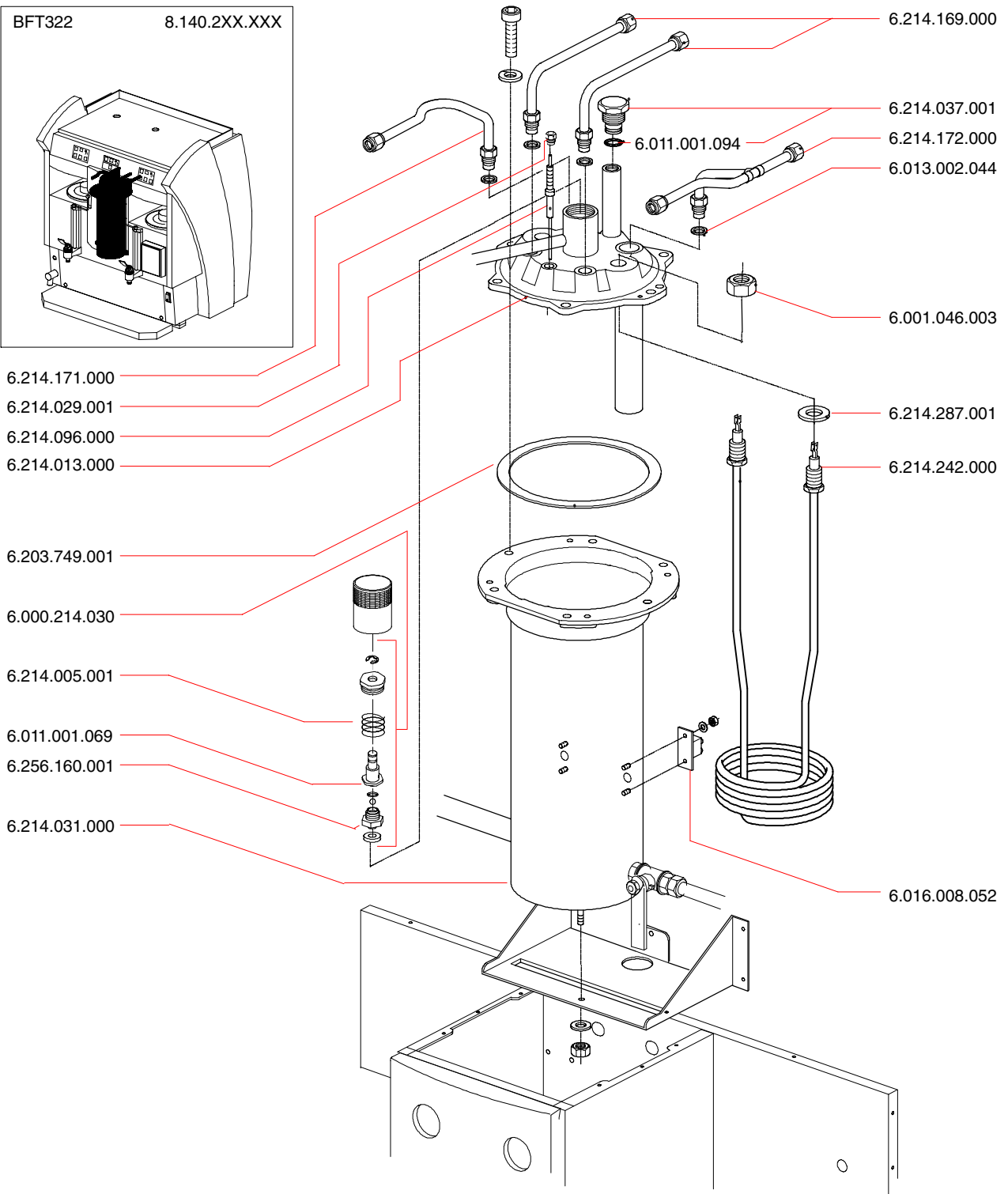
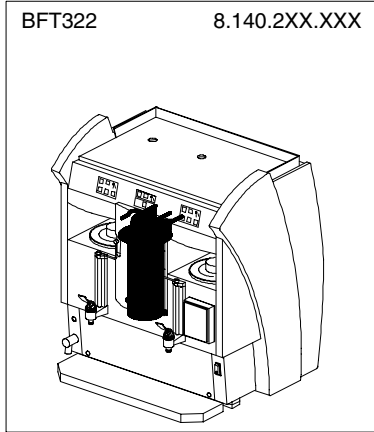




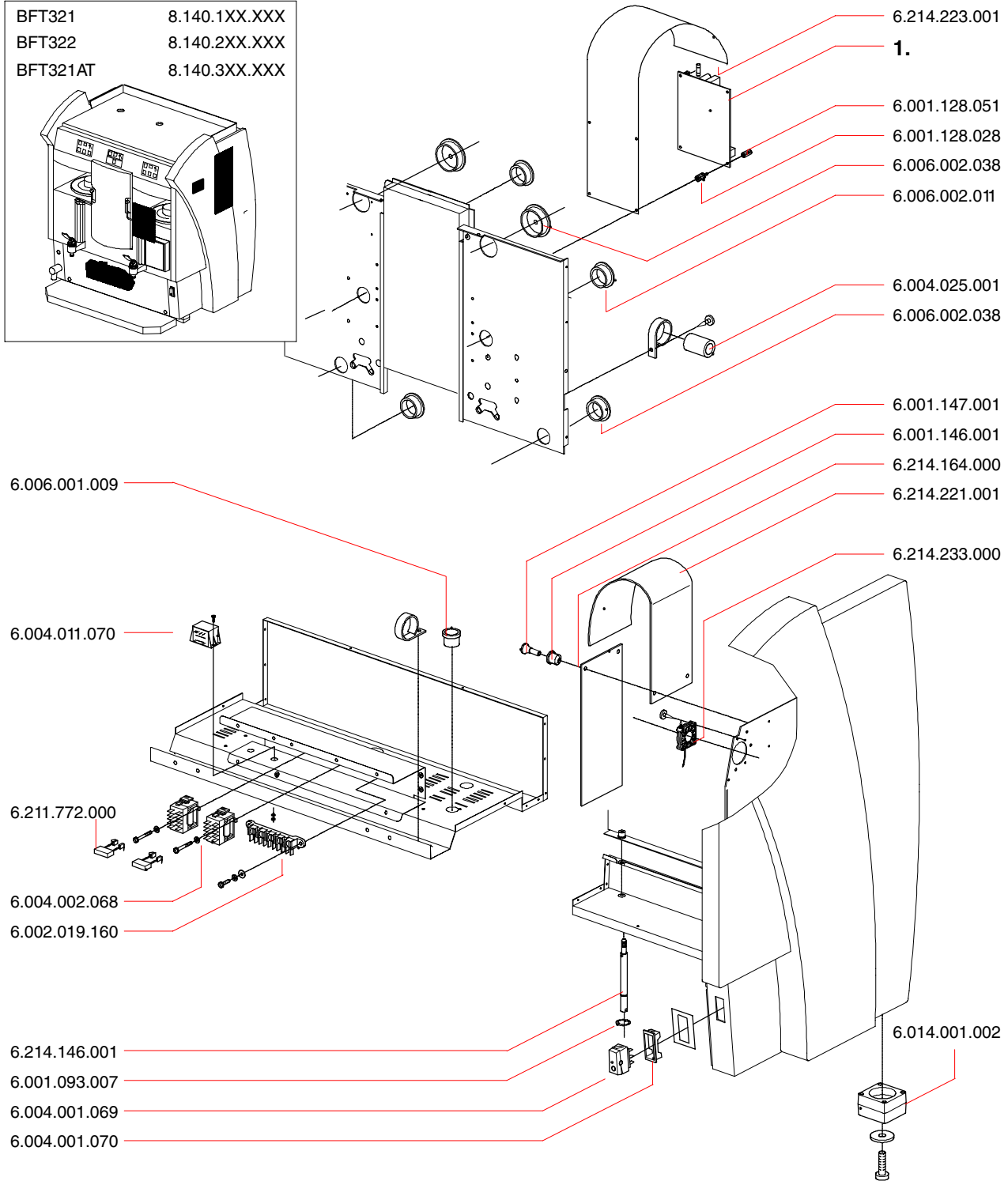
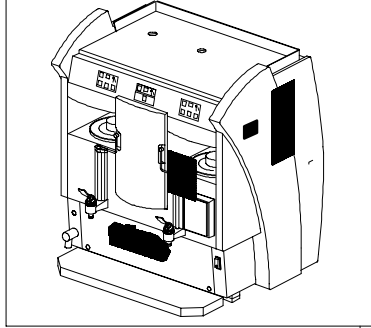
		BFT321-001	BFT321-011	BFT322-001
1.	STD	6.000.214.001	6.000.214.022	6.000.214.001
2.	STD	6.214.124.000	6.214.240.000	6.214.124.000



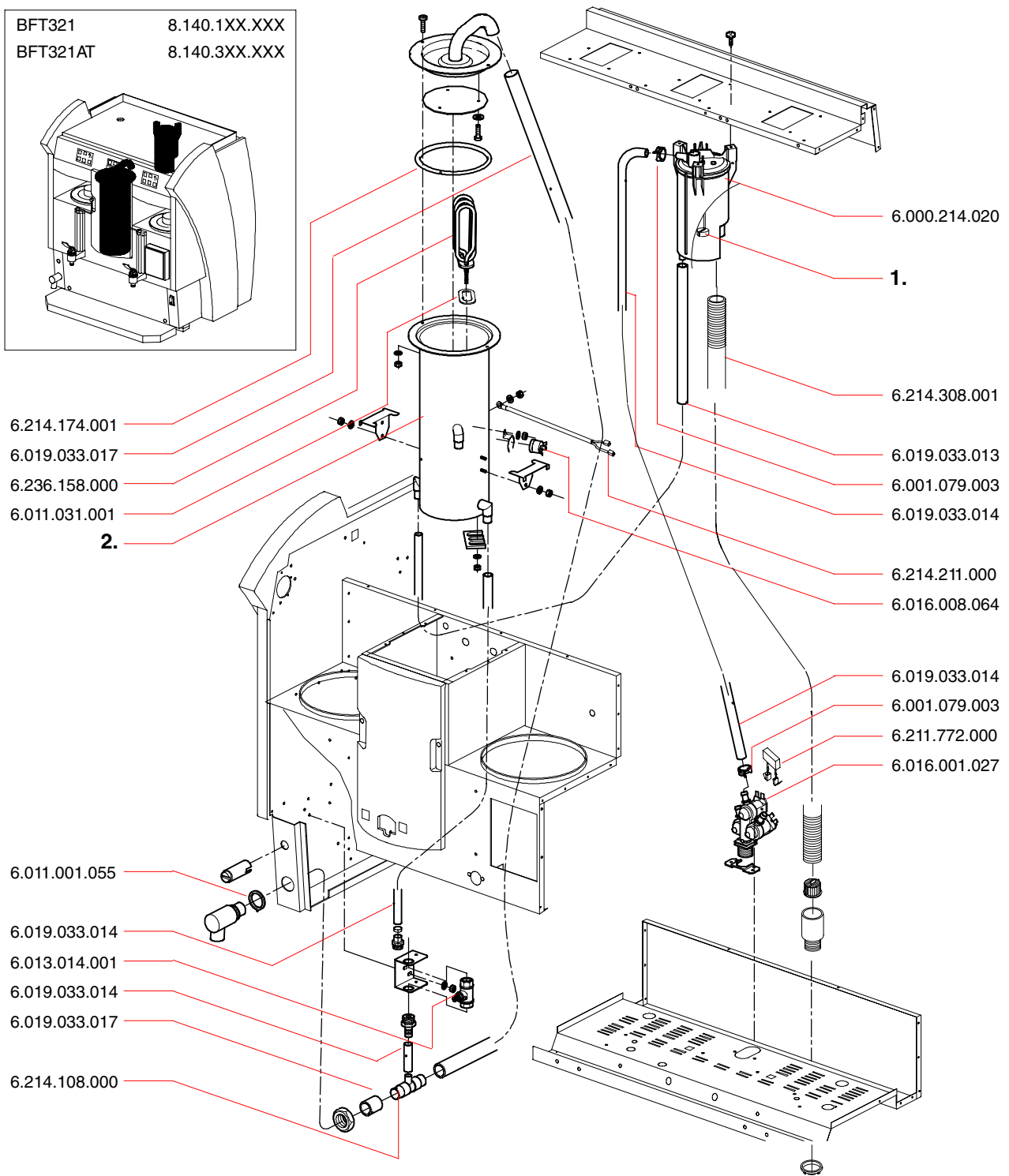
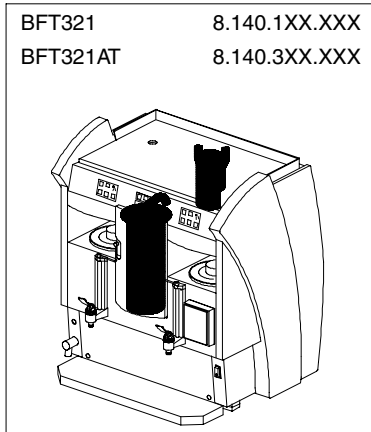




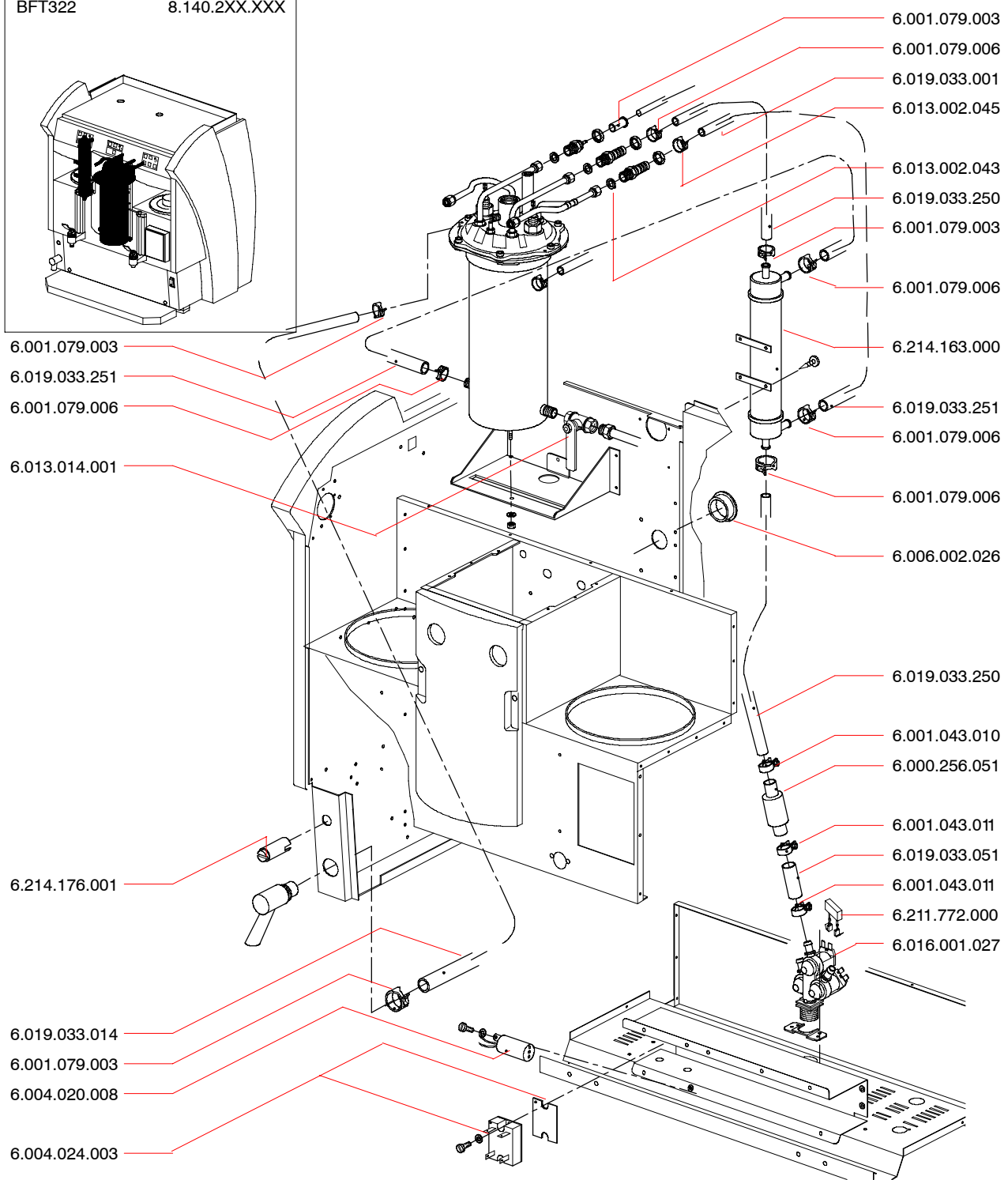
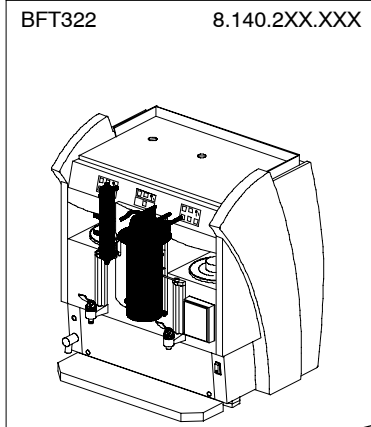
BFT321 8.140.1XX.XXX
 BFT322 8.140.2XX.XXX
 BFT321AT 8.140.3XX.XXX



		BFT321-001	BFT321-011	BFT322-001
1.	STD	6.214.236.000	6.214.190.000	6.214.237.000



		BFT321-001	BFT321-011	BFT322-001
1.	STD			
	DK, N, S, SF	6.214.304.001	6.214.304.001	6.214.304.001
2.	STD	6.214.055.000	6.214.196.000	



1. TUBE DIAGRAMS

1.1 Tube diagram BFT321-001 / BFT321-011

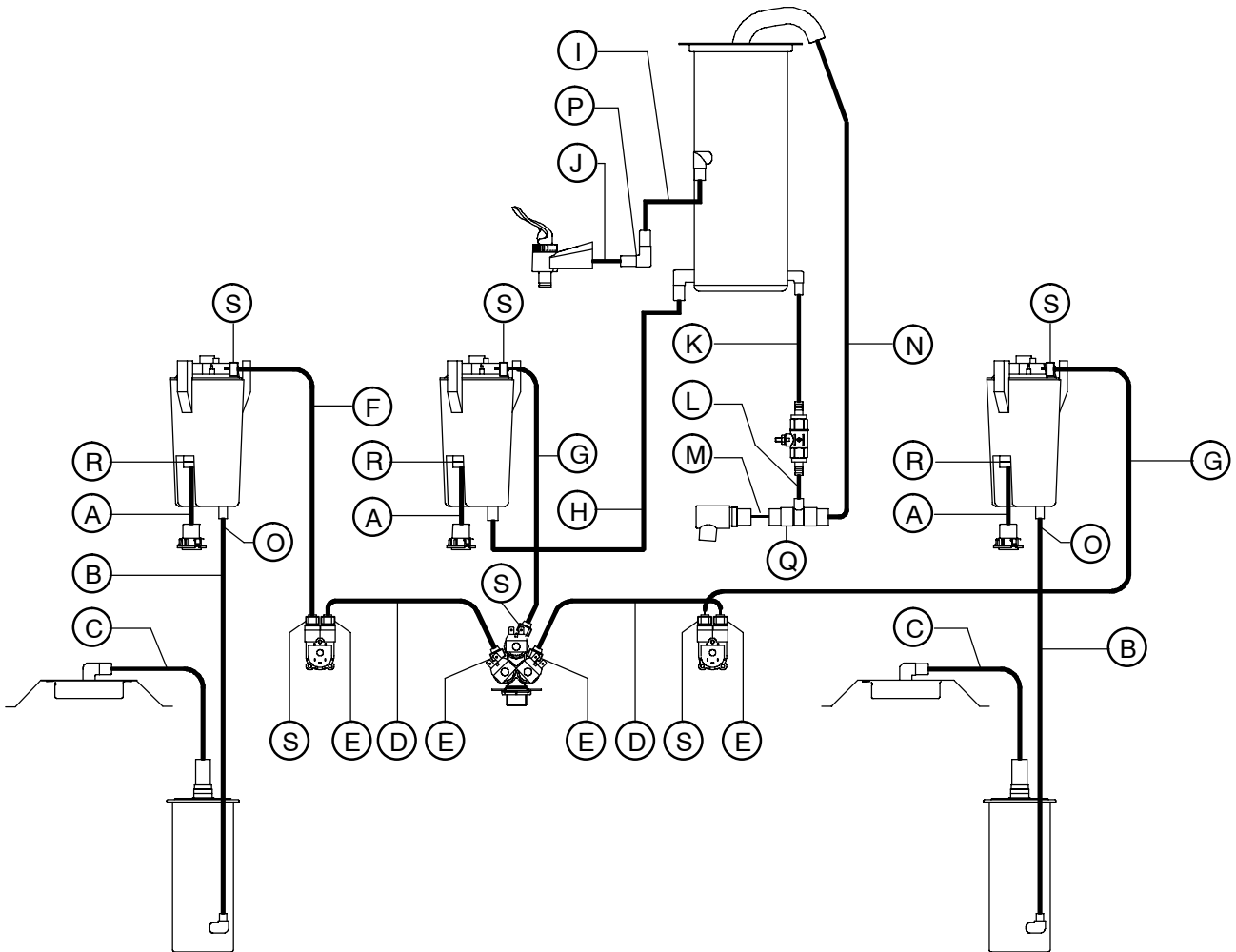


Fig. 1 Tube diagram BFT321-001 and part I BFT321-011

● See fig.1

Ref.	Item number	Description	Necessary length (mm)	Quantity
A	6.214.308.001	Tube	-	3
B	6.019.033.014	Tube 15.5x9.5 silicone (1m)	370	2
C	6.019.033.013	Tube 17.5x11.5 silicone (1m)	410	2
D	6.019.033.251	Tube 10x2.5 silicone (1m)	290	2
E	6.001.043.011	Tube clamp 17 mm (5)	-	2
F	6.019.033.014	Tube 15.5x9.5 silicone (1m)	530	4
G	6.019.033.014	Tube 15.5x9.5 silicone (1m)	570	2
H	6.019.033.013	Tube 17.5x11.5 silicone (1m)	690	1
I	6.019.033.013	Tube 17.5x11.5 silicone (1m)	160	1
J	6.019.033.013	Tube 17.5x11.5 silicone (1m)	30	1
K	6.019.033.014	Tube 15.5x9.5 silicone (1m)	480	1
L	6.019.033.014	Tube 15.5x9.5 silicone (1m)	45	1
M	6.019.033.017	Tube 17.5x13.5 silicone (1m)	40	1
N	6.019.033.017	Tube 17.5x13.5 silicone (1m)	890	1
O	6.284.137.001	Air bubble pricker	-	1
P	6.206.440.002	Knee for box boiler	-	1
Q	6.214.108.000	T-Piece (22/10/22 mm)	-	2
R	6.001.079.100	Tube clamp 24-27 mm (1)	-	3
S	6.001.079.003	Tube clamp 15.6 mm (5)	-	6

1.2 Tube diagram BFT321-011

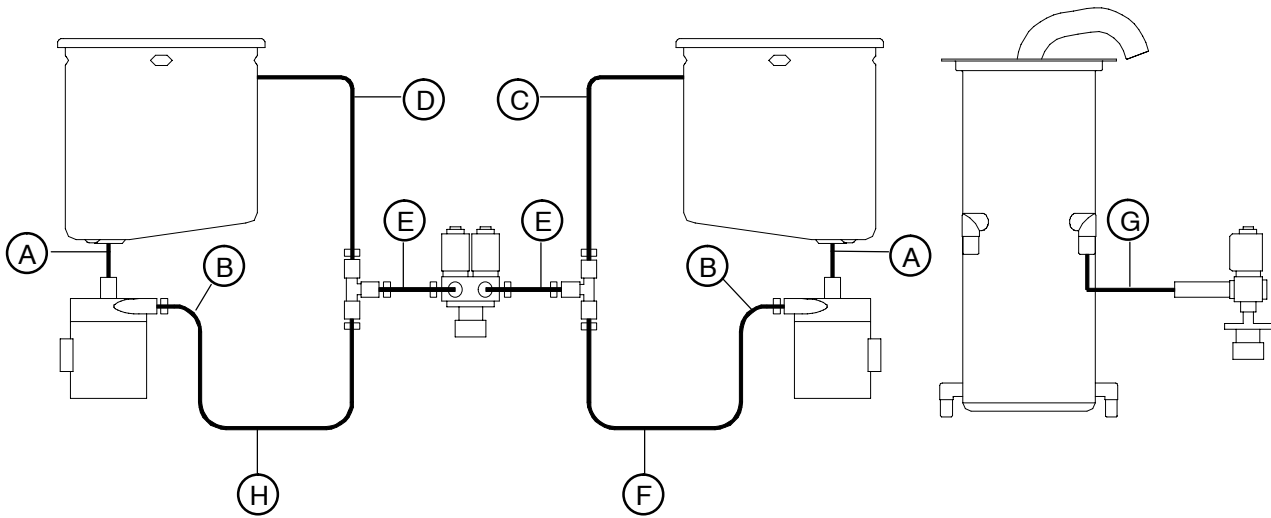


Fig. 2 Tube diagram – part II BFT321-011

• See fig.2

Ref.	Item number	Description	Necessary length (mm)	Quantity
A	6.019.033.013	Tube 17.5x11.5 silicone (1m)	50	2
B	6.214.252.001	Reduce plug for dosingpump	-	2
C	6.019.033.013	Tube 17.5x11.5 silicone (1m)	400	2
D	6.019.033.013	Tube 17.5x11.5 silicone (1m)	200	1
E	6.019.033.013	Tube 17.5x11.5 silicone (1m)	40	2
F	6.019.033.013	Tube 17.5x11.5 silicone (1m)	650	1
G	6.019.033.013	Tube 17.5x11.5 silicone (1m)	490	1
H	6.019.033.013	Tube 17.5x11.5 silicone (1m)	430	1



TIP

- Only assemble the reduce plug (B) on the pressure side

1.3 Tube diagram BFT322-001

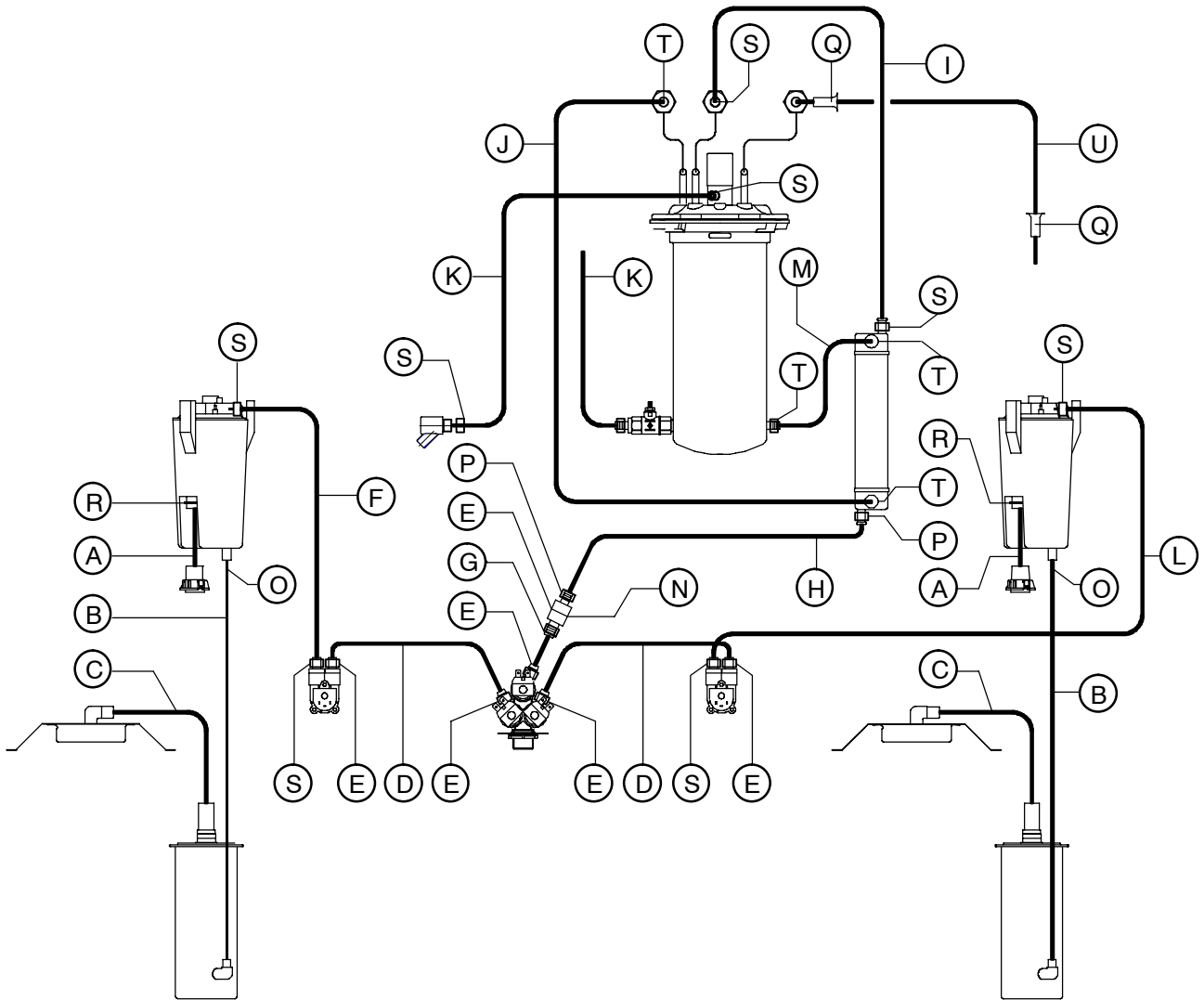


Fig. 3 Tube diagram BFT322-001

- See fig.3

Ref.	Item number	Description	Necessary length (mm)	Quantity
A	6.214.308.001	Tube	-	2
B	6.019.033.014	Tube 15.5x9.5 silicone (1m)	370	2
C	6.019.033.013	Tube 17.5x11.5 silicone (1m)	410	2
D	6.019.033.251	Tube 10x2.5 silicone (1m)	290	2
E	6.001.043.011	Tube clamp 17 mm (5)	-	6
F	6.019.033.014	Tube 15.5x9.5 silicone (1m)	530	1
G	6.019.033.251	Tube 10x2.5 silicone (1m)	50	1
H	6.019.033.250	Tube 8x2 silicone (1m)	140	1
I	6.019.033.250	Tube 8x2 silicone (1m)	290	1
J	6.019.033.251	Tube 10x2.5 silicone (1m)	540	1
K	6.019.033.014	Tube 15.5x9.5 silicone (1m)	700	2
L	6.019.033.014	Tube 15.5x9.5 silicone (1m)	570	1
M	6.019.033.251	Tube 10x2.5 silicone (1m)	830	1
N	6.000.256.051	Non return valve	-	1
O	6.284.137.001	Air bubble pricker	-	2
P	6.001.043.010	Tube clamp 14 mm (5)	-	2
Q	6.013.002.045	Support case	-	2
R	6.001.079.100	Tube clamp 24–27 mm (1)	-	2
S	6.001.079.003	Tube clamp 15.6 mm (5)	-	8
T	6.001.079.006	Tube clamp	-	4
U	6.019.033.001	Tube 2x6 silicone (1m)	450	1

1.4 Tube diagram aeration

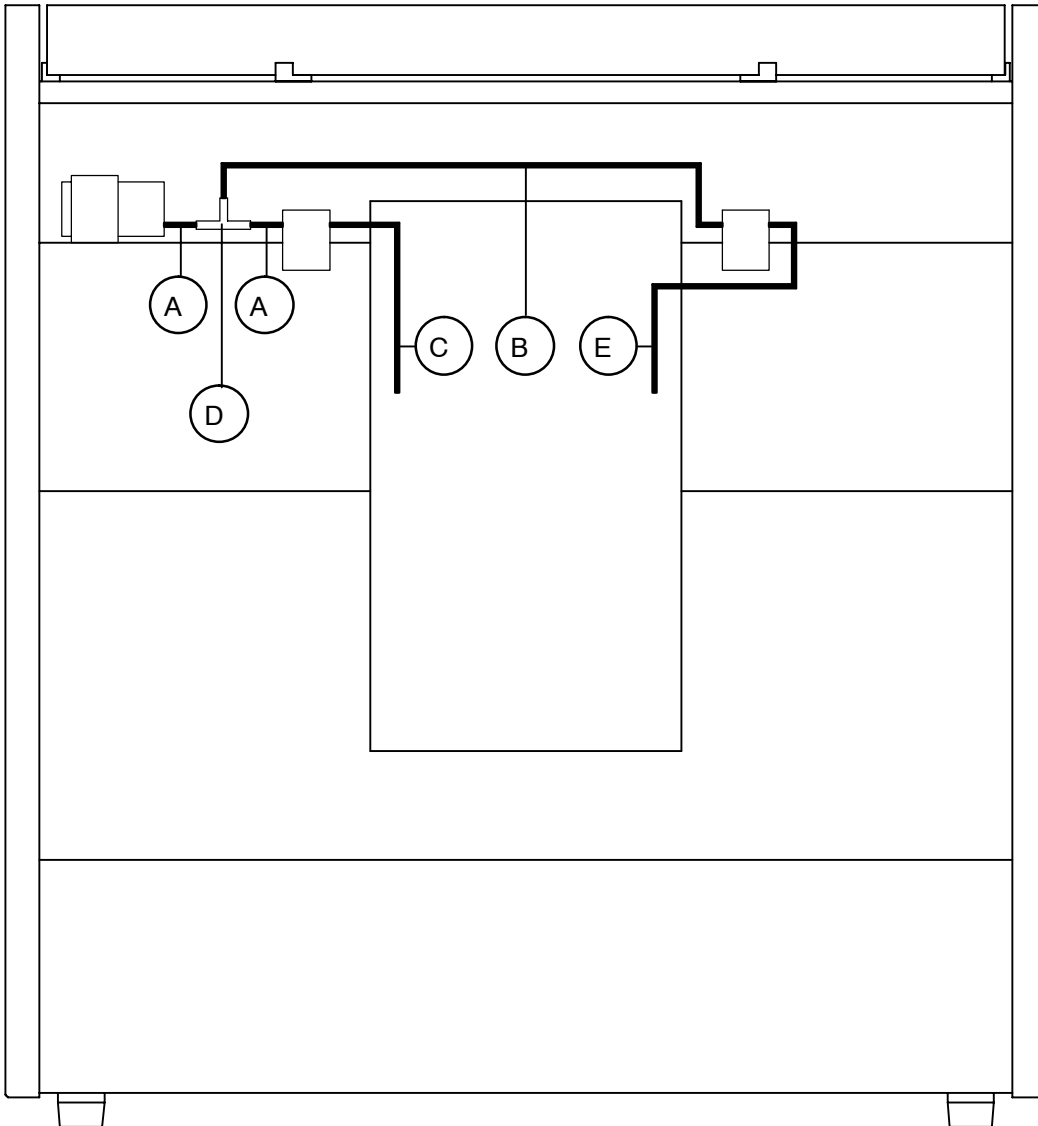


Fig. 4 Tube diagram aeration

Ref.	Item number	Description	Necessary length (mm)	Quantity
A	6.019.033.001	Tube 2x6 silicone (1m)	40	2
B	6.019.033.001	Tube 2x6 silicone (1m)	360	2
C	6.019.033.001	Tube 2x6 silicone (1m)	400	2
D	6.016.018.021	T Piece	-	2
E	6.019.033.001	Tube 2x6 silicone (1m)	450	1